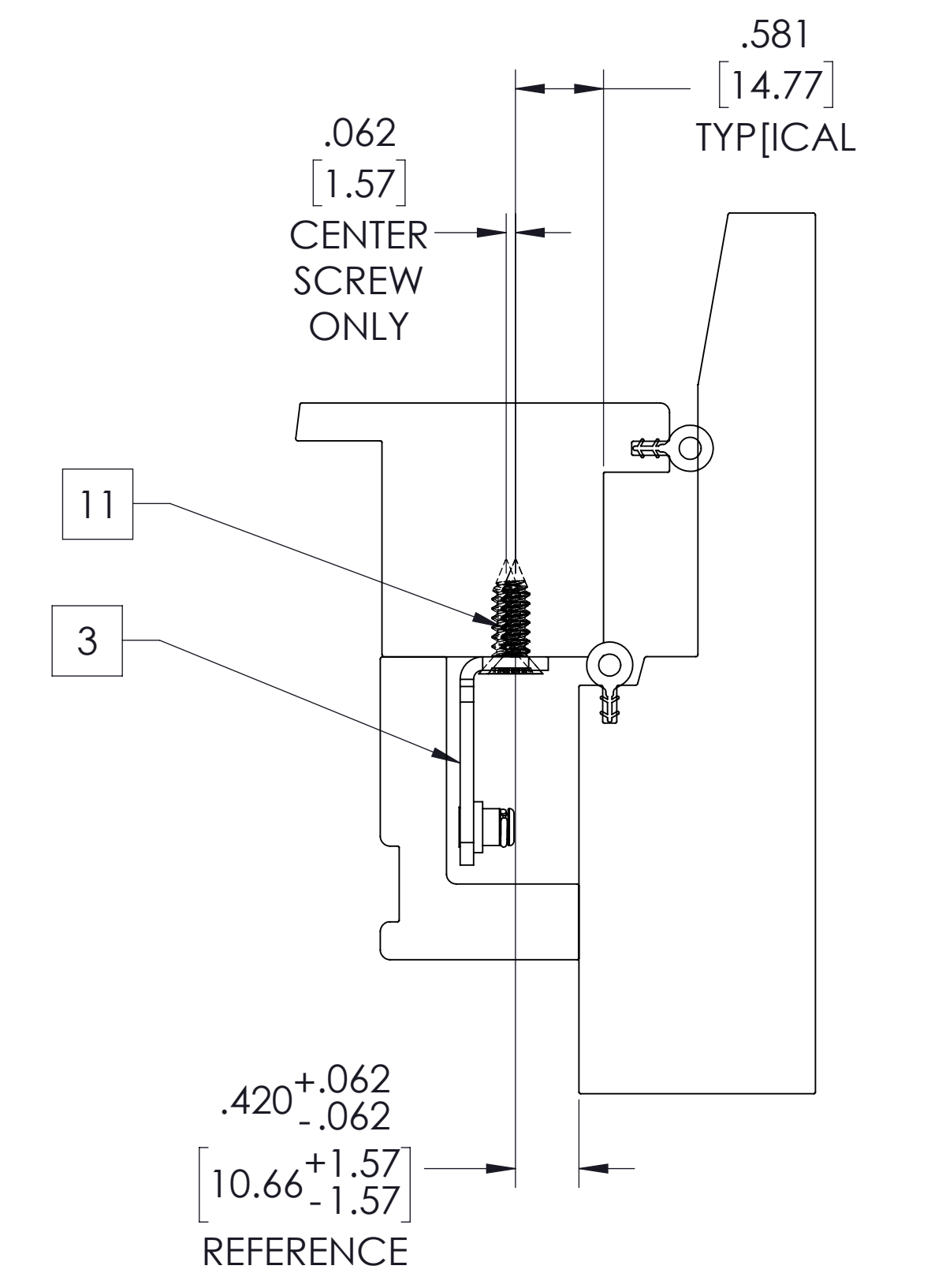
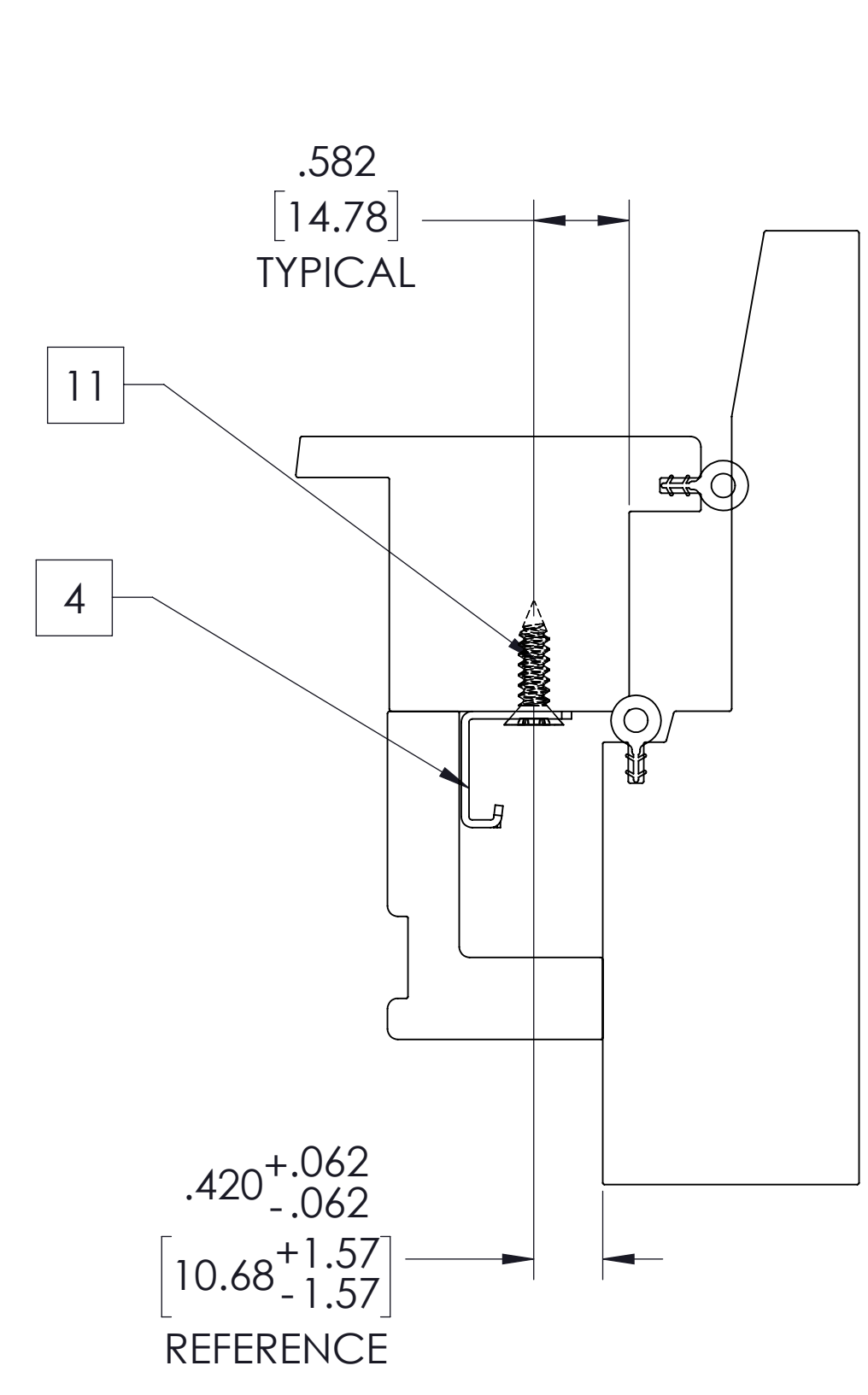
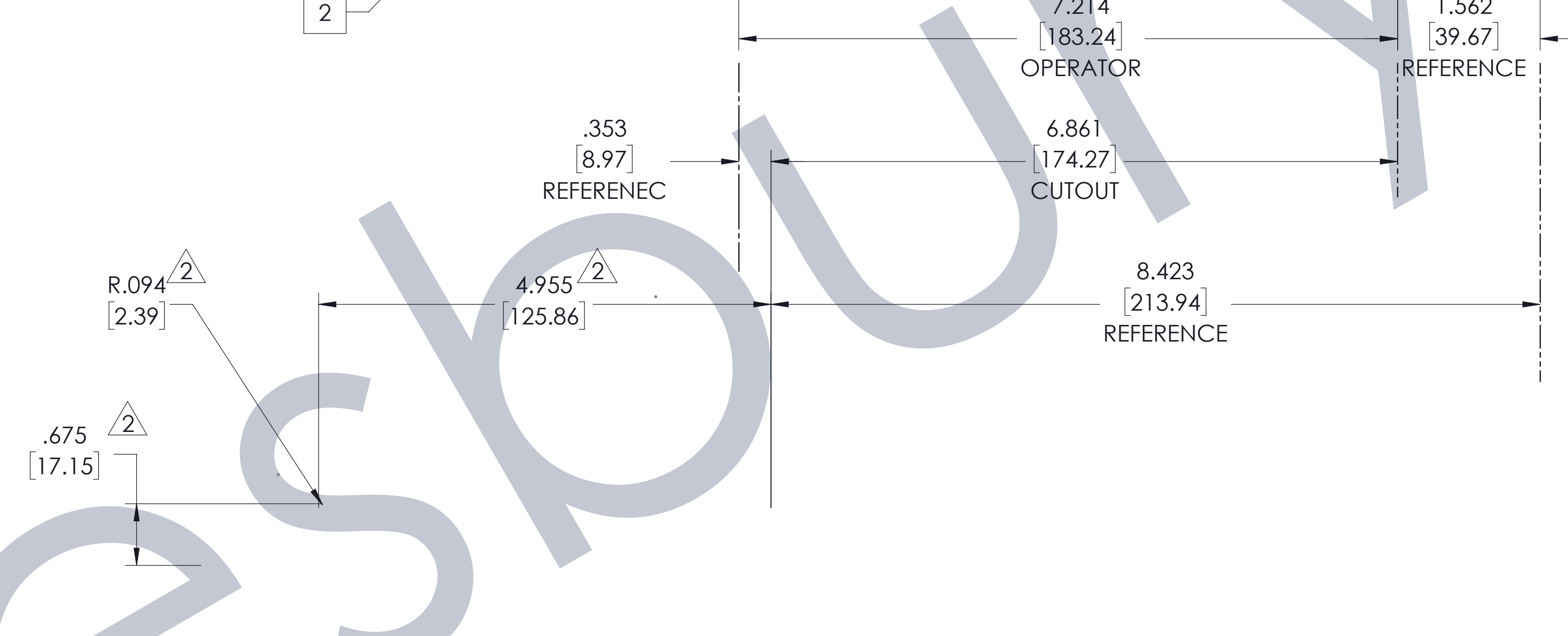
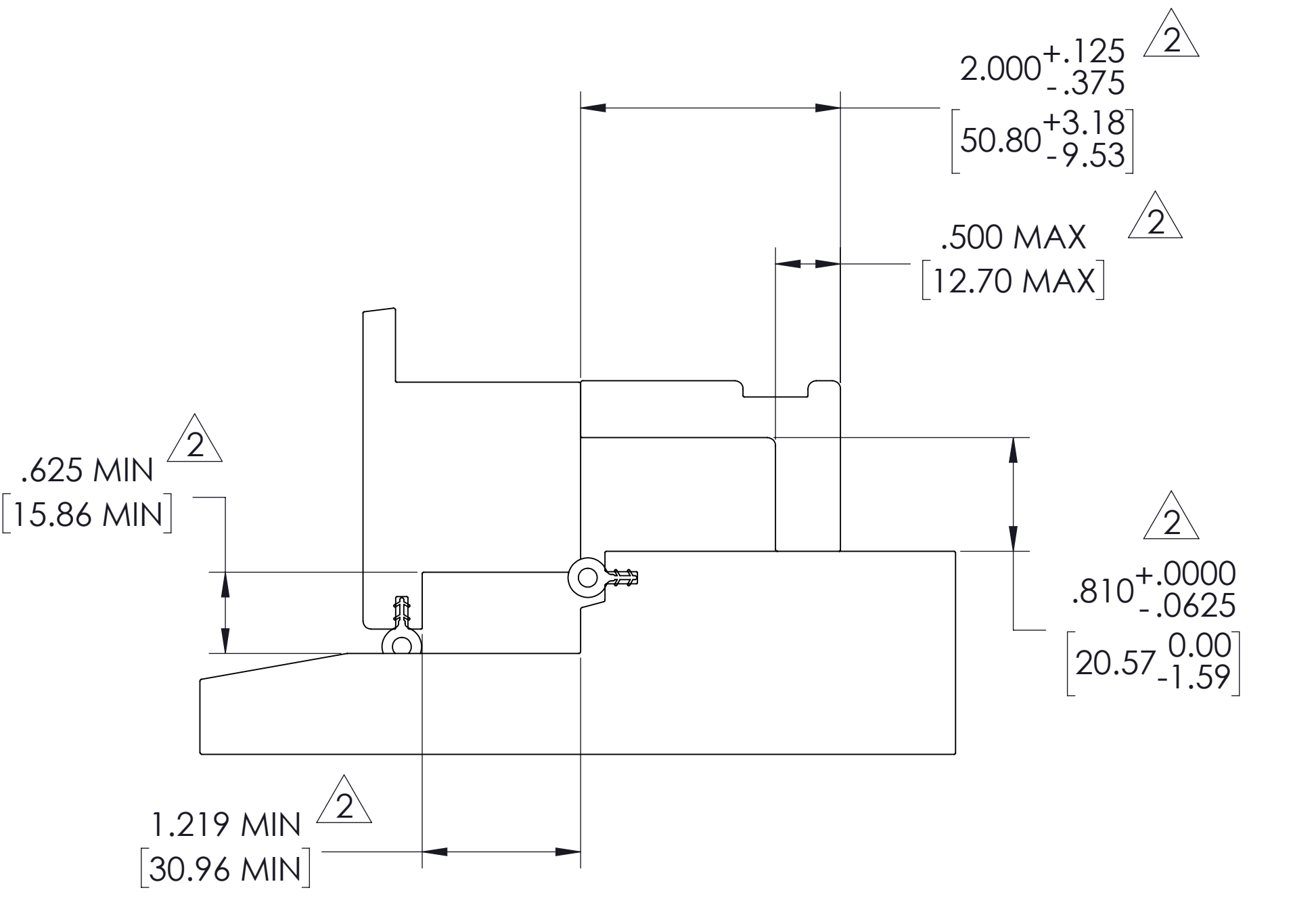
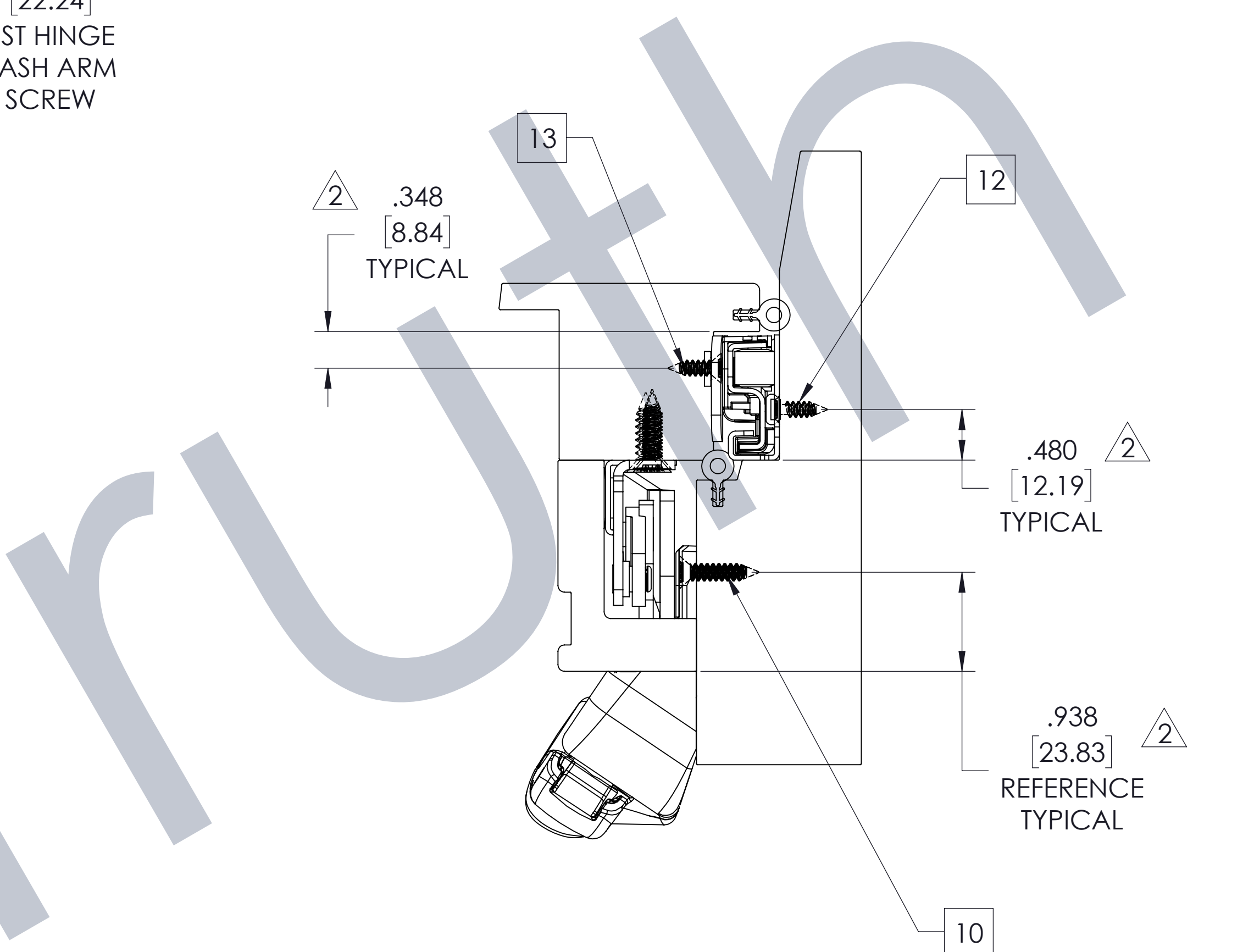
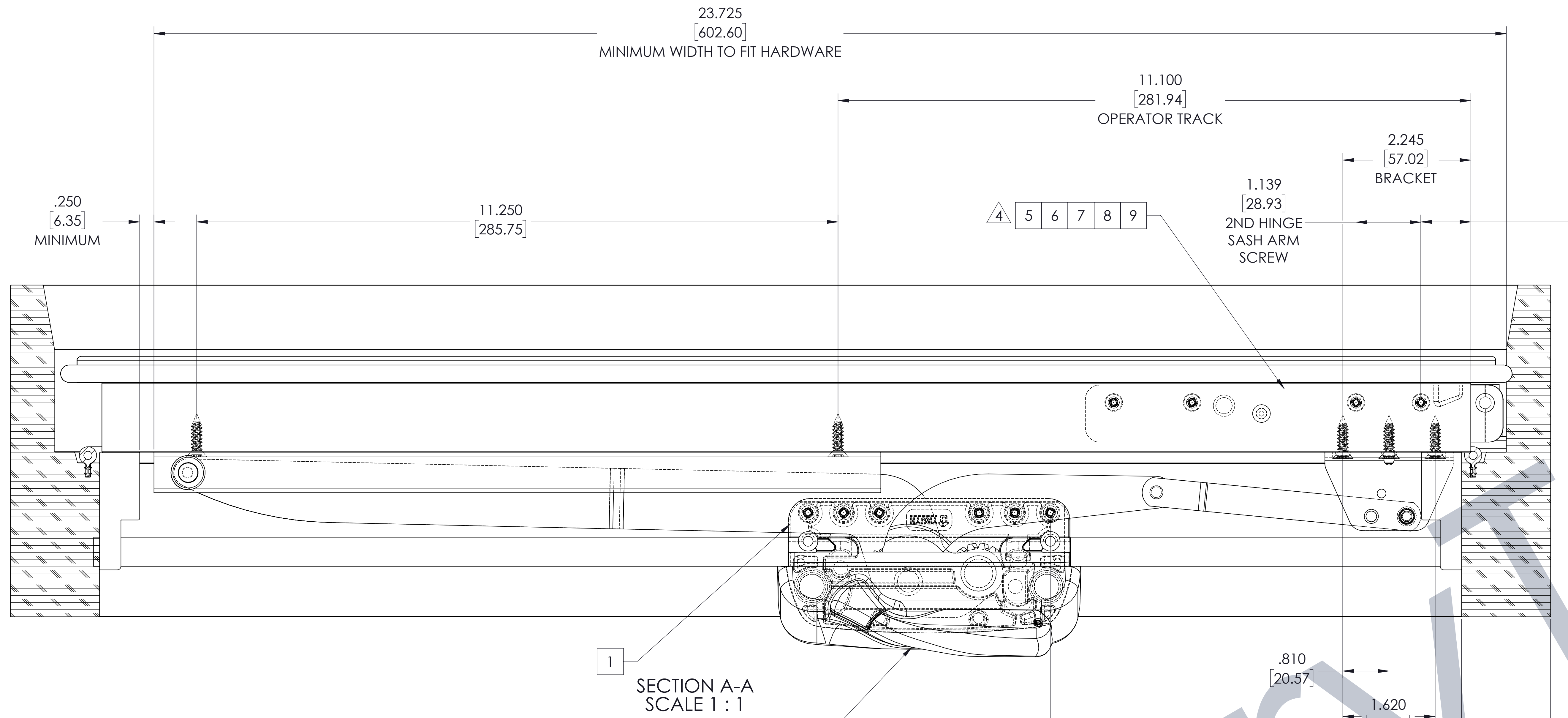
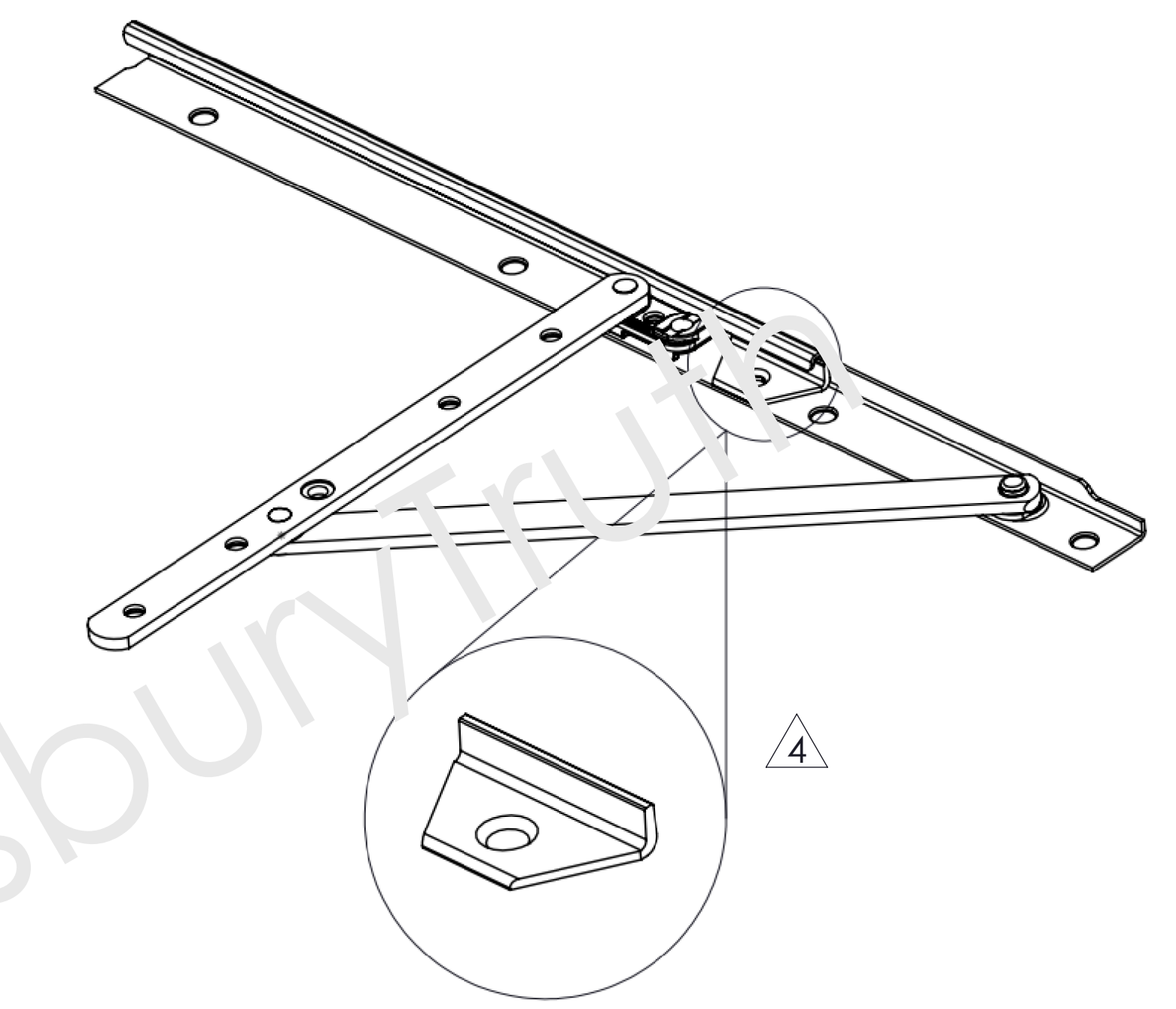


NO.	DATE	BY	APP.
1	05/16/2018	M. NEFF	



- NOTE:**
- HARDWARE MAY ACHIEVE A MAXIMUM WINDOW SIZE OF 40" W X 84" H (RESIDENTIAL).  
PER AAMA HARDWARE LOAD TEST.  
-140 LB SASH RESULTS IN 5 LB FORCE FOR ADA HANDLE OPERATION (RESIDENTIAL).  
-103 LB SASH PERMITTED FOR AAMA HARDWARE LOAD TEST (RESIDENTIAL).  
-FOR COMMERCIAL RATING THE MAXIMUM FRAME AREA (WIDTH X HEIGHT) MUST BE REDUCED BY 20%.  
CHECK WITH EXTRUDER FOR PROFILE PERFORMANCE DATA.
  - HOLD THESE DIMENSIONS AS CLOSE TO THEIR MINIMUM AS MANUFACTURING TOLERANCES ALLOW.
  - SNUBBERS ARE RECOMMENDED ON WINDOWS OVER 30", CENTERED ON THE SASH AND FRAME ON THE HINGE SIDE OF THE WINDOW. SEE SNUBBER APPLICATION.
  - WARNING! IT IS RECOMMENDED TO INSTALL HINGE STOPS 24309 IN EACH HINGE TRACK FOR SAFETY.
  - WARNING! SHIPPING BLOCKS 24784 ARE RECOMMENDED IN EACH WINDOW ASSEMBLY. REFERENCE TECH NOTE #13 FOR CORRECT INSTALLATION OF SHIPPING BLOCKS.
  - WARNING! ONLY TRAINED PROFESSIONALS SHOULD DISCONNECT HARDWARE TO SERVICE WINDOWS. FAILURE TO DO SO COULD CAUSE SERIOUS WINDOW DAMAGE AND/OR PERSONAL INJURY.
  - REFERENCE TECH NOTE #7 AND 9 FOR MOUNTING SCREW COMPATIBILITY AND CORROSION INFORMATION.
  - REFERENCE TECH NOTE #8 FOR PROPER CARE OF HARDWARE.
  - SEE TECH NOTE #14 FOR PROPER INSTALLATION OF AN OPERATOR COVER AND NESTED FILDING HANDLE.
  - REFERENCE TECH NOTE #3 FOR SASH SAG TIPS.
  - SEE WEBSITE FOR COVER AND HANDLE OPTIONS.

ITEM NO.	PART NUMBER	DESCRIPTION	Default/ QTY.
1	50.19.00.211	OPER. ENCORE LH DUAL ROLLER	1
2	12614	HANDLE AND COVER ASSEMBLY	1
3	14547.93	SNAP STUD BRACKET ASSEMBLY RH	1
4	42090	OPERATOR TRACK, NON-HANDED	1
5	14.10.00.512.1	HGE CSM UL TRK NF WSH SS	1
6	14.10.00.514.1	UL CSM HGE ARM ASSY	1
7	14.10.00.511.1	HGE CSM LL TRK NF WSH SS	1
8	14.10.00.513.1	LL CSM HGE ARM ASSY	1
9	24309	HINGE STOP	2
10	19218.92	SCREW 8X3/4 PH FH SMS YZP	6
11	14106.XX	SCREW 10X.75 PH FH SMS SS18-8	5
12	19070	SCREW 7X1/2 PH FH SMS SS18-8	8
13	19080.92	SCREW 7X1/2 PH FH SMS YZP	8



TRUTH HARDWARE MAKES NO WARRANTY OR REPRESENTATION OF ANY KIND, EXPRESS OR IMPLIED, WITH RESPECT TO QUALITY, CONTENT, FORM, PERFORMANCE, FITNESS FOR PURPOSE, MERCHANTABILITY OR OTHERWISE OF THE APPLICATION DRAWINGS PROVIDED. THESE DRAWINGS ARE USED AT THE RECIPIENT'S OWN RISK AND TRUTH HARDWARE HAS AND SHALL HAVE NO RESPONSIBILITY FOR RECIPIENTS OR ANY THIRD PARTIES' USE OF THESE DRAWINGS OR ANY OF THE INFORMATION CONTAINED THEREIN. THE RECIPIENT AGREES TO INDEMNIFY, DEFEND, AND HOLD HARMLESS TRUTH HARDWARE AND ITS EMPLOYEES AND THEIR SUCCESSORS AND ASSIGNS FROM AND AGAINST ANY AND ALL CLAIMS, SUITS, LOSSES, DAMAGES OR COSTS INCURRED FROM USING THESE DRAWINGS OR ANY CONTENT THEREOF.

COMMENTS

**Amesbury Truth**  
Engineered Solutions. Trusted Brands.  
700 West Bridge Street  
Owatonna, MN 55060  
Telephone 507-451-5620

THIS DRAWING IS THE PROPERTY OF TRUTH HARDWARE. THE INFORMATION THEREON IS TO BE TREATED AS CONFIDENTIAL. IF IT IS NOT TO BE USED, COPIED, OR DISCLOSED TO OTHER PARTIES, REMOVE OUR WATERMARK.

DRAWN BY: M. NEFF DATE: 05/16/2018  
CHECKED BY: MENDI SCALE: 1:4  
PARTNAME: HEAVY DUTY ENCORE DUAL ARM AND 14.10 HINGE APPLICATION

PROJECT: GENERIC WOOD CSMI DRAWING NO.: 20398LLL REVISION: A TITLE: E

DO NOT SCALE DRAWINGS